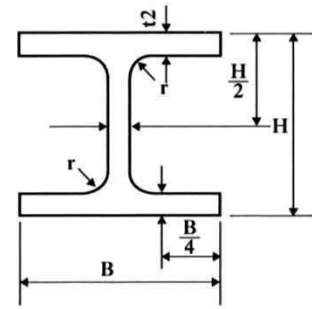
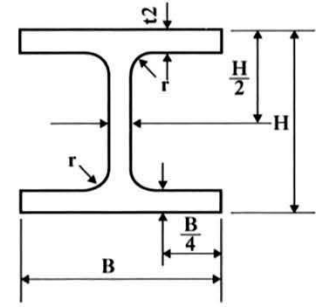


H Beam



Standard Dimension							Section Area (cm ²)	Unit Weight (kg/m)
Nominal Size (mm)		Section Dimensions (mm)						
No.	H x B	H	x B	x t1	x t2	R		
1	100 x 100	100	x 100	x 6	x 8	8	21.59	16.9
2	125 x 125	125	x 125	x 6.5	x 9	8	30.00	23.6
3	150 x 75	150	x 75	x 5	x 7	8	17.85	14.0
4	150 x 100	148	x 100	x 6	x 9	8	26.35	20.7
5	150 x 150	150	x 150	x 7	x 10	8	39.65	31.1
6	175 x 90	175	x 90	x 5	x 8	8	22.90	18.0
7	175 x 175	175	x 175	x 7.5	x 11	13	51.42	40.4
8	200 x 100	198	x 99	x 4.5	x 7	8	22.69	17.8
9		200	x 100	x 5.5	x 8	8	26.67	20.9
10	200 x 150	194	x 150	x 6	x 9	8	38.11	29.9
11	200 x 200	200	x 200	x 8	x 12	13	63.53	49.9
12		*	200	x 204	x 12	x 12	13	71.53
13	250 x 125	248	x 124	x 5	x 8	8	31.99	25.1
14		250	x 125	x 6	x 9	8	36.97	29.0
15	250 x 175	244	x 175	x 7	x 11	13	55.49	43.6
16	250 x 250	250	x 250	x 9	x 14	13	91.43	71.8
17		*	250	x 255	x 14	x 14	13	103.90
18	300 x 150	298	x 149	x 5.5	x 8	13	40.80	32.0
19		300	x 150	x 6.5	x 9	13	46.78	36.7
20	300 x 200	294	x 200	x 8	x 12	13	71.05	55.8
21		*	298	x 201	x 9	x 14	13	82.03
22	300 x 300	* 294	x 302	x 12	x 12	13	106.30	83.4
23		300	x 300	x 10	x 15	13	118.40	93.0
24		* 300	x 305	x 15	x 15	13	133.40	105
25		* 304	x 301	x 11	x 17	13	133.50	105
26		* 312	x 303	x 13	x 21	13	163.80	129
27		* 318	x 307	x 17	x 24	13	194.70	153
28		* 326	x 310	x 20	x 28	13	229.10	180
29		350 x 175	346	x 174	x 6	x 9	13	52.45
30	350		x 175	x 7	x 11	13	62.91	49.4
31	350 x 250	* 336	x 249	x 8	x 12	13	86.17	67.6
32		340	x 250	x 9	x 14	13	99.53	78.1
33		* 350	x 252	x 11	x 19	13	131.50	103
34		* 356	x 256	x 15	x 22	13	160.90	126
35		* 364	x 258	x 17	x 26	13	188.70	148
36		* 338	x 351	x 13	x 13	13	133.30	105
37	350 x 350	* 344	x 348	x 10	x 16	13	144.00	113
38		* 344	x 354	x 16	x 16	13	164.70	129
39		350	x 350	x 12	x 19	13	171.90	135
40		* 350	x 357	x 19	x 19	13	196.40	154

H Beam

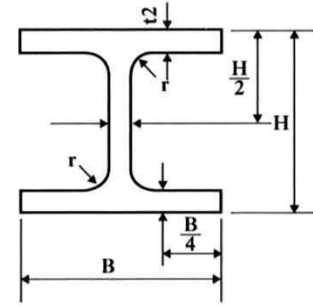


Standard Dimension							Section Area (cm ²)	Unit Weight (kg/m)	
Nominal Size (mm)		Section Dimensions (mm)							
No.	H x B	H	x B	x t1	x t2	R			
41	350 x 350	*	360	x 354	x 16	x 24	13	221.30	174
42		*	368	x 356	x 18	x 28	13	257.00	202
43		*	378	x 358	x 20	x 33	13	300.10	236
44	400 x 200		396	x 199	x 7	x 11	13	71.41	56.1
45			400	x 200	x 8	x 13	13	83.37	65.4
46	400 x 300	*	386	x 299	x 9	x 14	13	117.40	92.2
47			390	x 300	x 10	x 16	13	133.20	105
48		*	400	x 304	x 14	x 21	13	179.30	141
49		*	410	x 308	x 18	x 26	13	226.10	177
50		*	418	x 310	x 20	x 30	13	259.10	203
51	400 x 400	*	388	x 402	x 15	x 15	22	178.50	140
52		*	394	x 398	x 11	x 18	22	186.80	147
53		*	394	x 405	x 18	x 18	22	214.40	168
54			400	x 400	x 13	x 21	22	218.70	172
55			400	x 408	x 21	x 21	22	250.70	197
56			414	x 405	x 18	x 28	22	295.40	232
57			428	x 407	x 20	x 35	22	360.70	283
58		*	458	x 417	x 30	x 50	22	528.60	415
59	450 x 200		446	x 199	x 8	x 12	13	82.97	65.1
60			450	x 200	x 9	x 14	13	95.43	74.9
61		*	456	x 201	x 10	x 17	13	112.00	87.9
62		*	466	x 205	x 14	x 22	13	150.70	118
63		*	478	x 208	x 17	x 28	13	189.70	149
64	450 x 300	*	434	x 299	x 10	x 15	13	131.60	103
65			440	x 300	x 11	x 18	13	153.90	121
66		*	446	x 302	x 13	x 21	13	180.80	142
67		*	450	x 304	x 15	x 23	13	201.90	158
68		*	458	x 306	x 17	x 27	13	235.40	185
69		*	468	x 308	x 19	x 32	13	275.30	216
70	500 x 200		496	x 199	x 9	x 14	13	99.29	77.9
71			500	x 200	x 10	x 16	13	112.20	88.2
72			506	x 201	x 11	x 19	13	129.30	102
73		*	512	x 202	x 12	x 22	13	146.50	115
74		*	518	x 205	x 15	x 25	13	174.20	137
75		*	528	x 208	x 18	x 30	13	210.50	165
76		*	536	x 210	x 20	x 34	13	237.90	187
77		*	548	x 215	x 25	x 40	13	290.50	228
78	500 x 300		482	x 300	x 11	x 15	13	141.20	111
79			488	x 300	x 11	x 18	13	159.20	125
80		*	494	x 302	x 13	x 21	13	187.10	147
81		*	500	x 304	x 15	x 24	13	215.20	169

Remarks: "*" = Make to Order

Available Standards: ASTM / AS / EN / BS / JIS / CNS

H Beam

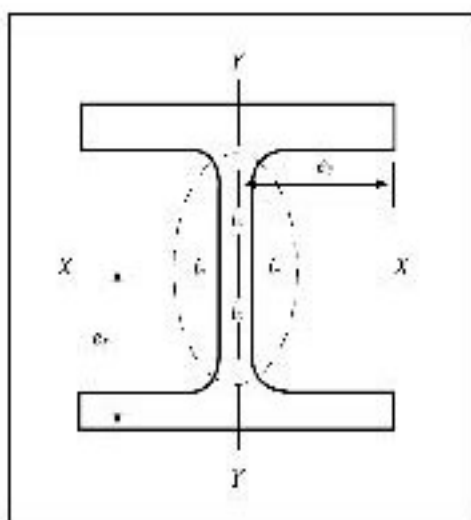
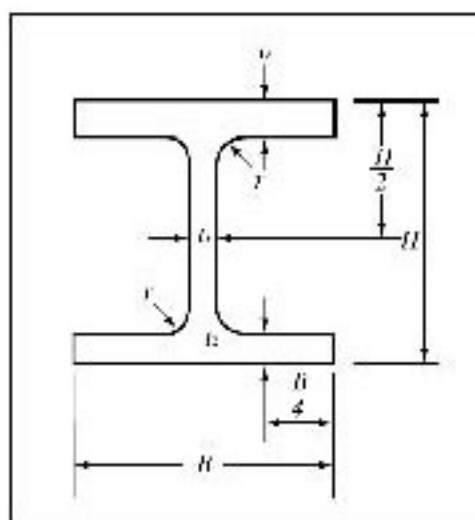


Standard Dimension							Section Area (cm ²)	Unit Weight (kg/m)	
Nominal Size (mm)		Section Dimensions (mm)							
No.	H x B	H	x B	x t1	x t2	R			
82	500 x 300	*	510	x 306	x 17	x 29	13	255.80	201
83		*	518	x 310	x 21	x 33	13	301.00	236
84		*	532	x 314	x 25	x 40	13	365.70	287
85	600 x 200		596	x 199	x 10	x 15	13	117.80	92.5
86			600	x 200	x 11	x 17	13	131.70	103
87			606	x 201	x 12	x 20	13	149.80	118
88		*	612	x 202	x 13	x 23	13	168.00	132
89		*	618	x 205	x 16	x 26	13	198.60	156
90		*	626	x 207	x 18	x 30	13	227.50	179
91		*	634	x 209	x 20	x 34	13	256.80	202
92		*	646	x 214	x 25	x 40	13	314.20	247
93	600 x 300		582	x 300	x 12	x 17	13	169.20	133
94			588	x 300	x 12	x 20	13	187.20	147
95			594	x 302	x 14	x 23	13	217.10	170
96		*	600	x 304	x 16	x 26	13	247.20	194
97		*	608	x 306	x 18	x 30	13	283.70	223
98		*	616	x 308	x 20	x 34	13	320.50	252
99		*	628	x 312	x 24	x 40	13	382.60	300
100	700 x 300		692	x 300	x 13	x 20	18	207.50	163
101			700	x 300	x 13	x 24	18	231.50	182
102			708	x 302	x 15	x 28	18	269.70	212
103		*	712	x 306	x 19	x 30	18	310.30	244
104		*	718	x 308	x 21	x 33	18	343.00	269
105		*	732	x 311	x 24	x 40	18	408.10	320
106	800 x 300		792	x 300	x 14	x 22	18	239.50	188
107			800	x 300	x 14	x 26	18	263.50	207
108			808	x 302	x 16	x 30	18	303.70	238
109		*	816	x 306	x 20	x 34	18	360.50	283
110		*	828	x 308	x 22	x 40	18	413.74	325
111	900 x 300		890	x 299	x 15	x 23	18	266.92	210
112			900	x 300	x 16	x 28	18	305.82	240
113			912	x 302	x 18	x 34	18	360.06	283
114		*	918	x 303	x 19	x 37	18	387.36	304

Remarks: "*" = Make to Order
Available Standards: ASTM / AS / EN / BS / JIS / CNS

H型鋼(CNS 1490 G1011/JIS G 3192)

H Beam in accordance with CNS 1490 G1011/JIS G 3192



標準尺寸(Standard dimension)

Serial SIZE	截面尺寸(Section dimensions)		單重 Unit weight (kg/m)
公稱尺寸	H x B x t1 x t2	R	
(mm)	(mm)		
100x100	100 x 100 x 6 x 8	8	16.9
125x125	125 x 125 x 6.5 x 9	8	23.6
150x 75	150 x 75 x 5 x 7	8	14
150x100	148 x 100 x 6 x 9	8	20.7
150x150	150 x 150 x 7 x 10	8	31.1
175x 90	175 x 90 x 5 x 8	8	18
175x175	175 x 175 x 7.5 x 11	13	40.4
200x100	198 x 99 x 4.5 x 7	8	17.8
	200 x 100 x 5.5 x 8	8	20.9
200x150	194 x 150 x 6 x 9	8	29.9
200x200	200 x 200 x 8 x 12	13	49.9
	*200 x 204 x 12 x 12	13	56.2
250x125	248 x 124 x 5 x 8	8	25.1
	250 x 125 x 6 x 9	8	29
250x175	244 x 175 x 7 x 11	13	43.6
250x250	244 x 252 x 11 x 11	13	63.8
	250 x 250 x 9 x 14	13	71.8
	*250 x 255 x 14 x 14	13	81.6

標準尺寸(Standard dimension)			
Serial SIZE	截面尺寸(Section dimensions)		單重 Unit weight (kg/m)
公稱尺寸	H x B x t1 x t2	R	
(mm)	(mm)		
300x150	298 x 149 x 5.5 x 8	13	32
	300 x 150 x 6.5 x 9	13	36.7
300x200	294 x 200 x 8 x 12	13	55.8
	298 x 201 x 9 x 14	13	64.4
300x300	*294 x 302 x 12 x 12	13	83.4
	300 x 300 x 10 x 15	13	93
	*300 x 305 x 15 x 15	13	105
	*304 x 301 x 11 x 17	13	105
	*312 x 303 x 13 x 21	13	129
	*318 x 307 x 17 x 24	13	153
350x175	*326 x 310 x 20 x 28	13	180
	346 x 174 x 6 x 9	13	41.2
350x250	350 x 175 x 7 x 11	13	49.4
	*336 x 249 x 8 x 12	13	67.6
	340 x 250 x 9 x 14	13	78.1
	*350 x 252 x 11 x 19	13	103
	*356 x 256 x 15 x 22	13	126
350x350	*364 x 258 x 17 x 26	13	148
	*338 x 351 x 13 x 13	13	105
	*344 x 348 x 10 x 16	13	113
	*344 x 354 x 16 x 16	13	129
	350 x 350 x 12 x 19	13	135
	*350 x 357 x 19 x 19	13	154
	*360 x 354 x 16 x 24	13	174
	*368 x 356 x 18 x 28	13	202
400x200	*378 x 358 x 20 x 33	13	236
	396 x 199 x 7 x 11	13	56.1
400x300	400 x 200 x 8 x 13	13	65.4
	*386 x 299 x 9 x 14	13	92.2
	390 x 300 x 10 x 16	13	105
	*400 x 304 x 14 x 21	13	141



標準尺寸(Standard dimension)			
Serial SIZE	截面尺寸(Section dimensions)		單重 Unit weight (kg/m)
公稱尺寸	H x B x t1 x t2	R	
(mm)	(mm)		
400x300	*410 x 308 x 18 x 26	13	177
	*418 x 310 x 20 x 30	13	203
400x400	*388 x 402 x 15 x 15	22	140.1
	*394 x 398 x 11 x 18	22	146.6
	*394 x 405 x 18 x 18	22	168.3
	400 x 400 x 13 x 21	22	171.7
	400 x 408 x 21 x 21	22	196.8
	414 x 405 x 18 x 28	22	231.9
	428 x 407 x 20 x 35	22	283
450x200	446 x 199 x 8 x 12	13	65.1
	450 x 200 x 9 x 14	13	74.9
	*456 x 201 x 10 x 17	13	87.9
	*466 x 205 x 14 x 22	13	118
	*478 x 208 x 17 x 28	13	149
450x300	*434 x 299 x 10 x 15	13	103
	440 x 300 x 11 x 18	13	121
	*446 x 302 x 13 x 21	13	142
	*450 x 304 x 15 x 23	13	158
	*458 x 306 x 17 x 27	13	185
	*468 x 308 x 19 x 32	13	216
500x200	496 x 199 x 9 x 14	13	77.9
	500 x 200 x 10 x 16	13	88.2
	506 x 201 x 11 x 19	13	102
	*512 x 202 x 12 x 22	13	115
	*518 x 205 x 15 x 25	13	137
	*528 x 208 x 18 x 30	13	165
	*536 x 210 x 20 x 34	13	187
	*548 x 215 x 25 x 40	13	228
500x300	482 x 300 x 11 x 15	13	111
	488 x 300 x 11 x 18	13	125
	*494 x 302 x 13 x 21	13	147

標準尺寸(Standard dimension)			
Serial SIZE	截面尺寸(Section dimensions)		單重 Unit weight (kg/m)
公稱尺寸	H x B x t1 x t2	R	
(mm)	(mm)		
500x300	*500 x 304 x 15 x 24	13	169
	*510 x 306 x 17 x 29	13	201
	*518 x 310 x 21 x 33	13	236
	*532 x 314 x 25 x 40	13	287
600x200	596 x 199 x 10 x 15	13	92.5
	600 x 200 x 11 x 17	13	103
	606 x 201 x 12 x 20	13	118
	*612 x 202 x 13 x 23	13	132
	*618 x 205 x 16 x 26	13	156
	*626 x 207 x 18 x 30	13	179
	*634 x 209 x 20 x 34	13	202
	*646 x 214 x 25 x 40	13	247
600x300	582 x 300 x 12 x 17	13	133
	588 x 300 x 12 x 20	13	147
	594 x 302 x 14 x 23	13	170
	*600 x 304 x 16 x 26	13	194
	*608 x 306 x 18 x 30	13	223
	*616 x 308 x 20 x 34	13	252
	*628 x 312 x 24 x 40	13	300
700x300	692 x 300 x 13 x 20	18	163
	700 x 300 x 13 x 24	18	182
	708 x 302 x 15 x 28	18	212
	*712 x 306 x 19 x 30	18	244
	*718 x 308 x 21 x 33	18	269
	*732 x 311 x 24 x 40	18	320
800x300	792 x 300 x 14 x 22	18	188
	800 x 300 x 14 x 26	18	207
	808 x 302 x 16 x 30	18	238
	*816 x 306 x 20 x 34	18	283



Universal beams in accordance with AS/NZS 3679.1

標準尺寸(Standard dimension)			截面尺寸(Section dimensions)				
公稱尺寸 Serial SIZE (mm)	Designation	單重 Unit weight (kg/m)	Depth of section	Flange		Web thickness	Root radius
				Width	Thickness		
			(d)	(b _f)	(t)	(t _w)	(r)
			(mm)	(mm)	(mm)	(mm)	(mm)
610 UB	610 x 229 x 125	125	611.6	229	19.6	11.9	14.0
	610 x 229 x 113	113	607.0	228	17.3	11.2	14.0
	610 x 229 x 101	101	602.0	228	14.8	10.6	14.0
530 UB	533 x 210 x 92.4	92.4	533.0	209.0	15.6	10.2	14.0
	533 x 210 x 82.0	82.0	528.2	209.0	13.2	9.6	14.0
460 UB	457 x 191 x 82.1	82.1	460.4	191.0	16.0	9.9	11.4
	457 x 191 x 74.6	74.6	457.4	190.0	14.5	9.1	11.4
	457 x 191 x 67.1	67.1	453.8	190.0	12.7	8.5	11.4
410 UB	406 x 178 x 59.7	59.7	406.4	178.0	12.8	7.8	11.4
	406 x 178 x 53.7	53.7	402.6	178.0	10.9	7.6	11.4
360 UB	356 x 171 x 56.7	56.7	358.6	172.0	13.0	8.0	11.4
	356 x 171 x 50.7	50.7	355.6	171.0	11.5	7.3	11.4
	356 x 171 x 44.7	44.7	352.0	171.0	9.7	6.9	11.4
310 UB	305 x 165 x 46.2	46.2	307.2	166.0	11.8	6.7	11.4
	305 x 165 x 40.4	40.4	304.0	165.0	10.2	6.1	11.4
	305 x 165 x 32.0	32.0	298.0	149.0	8.0	5.5	13.0
250 UB	254 x 146 x 37.3	37.3	256.2	146.0	10.9	6.4	8.9
	254 x 146 x 31.4	31.4	251.6	146.0	8.6	6.1	8.9
	254 x 146 x 25.7	25.7	248.0	124.0	8.0	5.0	12.0
200 UB	203 x 133 x 29.8	29.8	207.0	134.0	9.6	6.3	8.9
	203 x 133 x 25.4	25.4	203.2	133.0	7.8	5.8	8.9
	203 x 133 x 22.3	22.3	201.6	133.0	7.0	5.0	8.9
	203 x 102 x 18.2	18.2	198.0	99.0	7.0	4.5	11.0
180 UB	175 x 90 x 22.2	22.2	179.0	90.0	10.0	6.0	8.9
	175 x 90 x 18.1	18.1	175.0	90.0	8.0	5.0	8.9
	175 x 90 x 16.1	16.1	173.0	90.0	7.0	4.5	8.9
150 UB	150 x 75 x 18.0	18.0	155.0	75.0	9.5	6.0	8.0
	150 x 75 x 14.0	14.0	150.0	75.0	7.0	5.0	8.0



Universal columns in accordance with AS/NZS 3679.1

標準尺寸(Standard dimension)			截面尺寸(Section dimensions)				
公稱尺寸 Serial SIZE (mm)	Designation	單重 Unit weight (kg/m)	Depth of section	Flange		Web thickness	Root radius
				Width	Thickness		
			(d)	(b _f)	(t _f)	(t _w)	(r)
			(mm)	(mm)	(mm)	(mm)	(mm)
310 UC	305 x 305 x 158	158	327.2	311.0	15.7	25.0	16.5
	305 x 305 x 137	137	320.6	309.0	13.8	21.7	16.5
	305 x 305 x 118	118	314.6	307.0	11.9	18.7	16.5
	305 x 305 x 96.8	96.8	308.0	305.0	9.9	15.4	16.5
250 UC	254 x 254 x 89.5	89.5	260.0	256.0	10.5	17.3	14.0
	254 x 254 x 72.9	72.9	253.8	254.0	8.6	14.2	14.0
200 UC	203 x 203 x 59.5	59.5	209.8	205.0	9.3	14.2	11.4
	203 x 203 x 52.2	52.2	206.4	204.0	8.0	12.5	11.4
	203 x 203 x 46.2	46.2	203.4	203.0	7.3	11.0	11.4
150 UC	152 x 152 x 37.2	37.2	161.8	154.0	8.1	11.5	8.9
	152 x 152 x 30.0	30.0	157.6	153.0	6.6	9.4	8.9
	152 x 152 x 23.4	23.4	152.4	152.0	6.1	6.8	8.9
100 UC	100 x 100 x 14.8	14.8	97.0	99.0	5.0	7.0	10.0



Wide flange beams in accordance with ASTM A 6/A 6M

標準尺寸(Standard dimension)			截面尺寸(Section dimensions)			
Serial SIZE 公稱尺寸 (mm)	Designation	單重 Unit weight (kg/m)	Depth (d) (in)	Flange		Web Thickness (tw) (in)
				Width (bf) (in)	Thickness (tf) (in)	
W4x4	W4x4x13lbs/ft	19.3	4.16	4.060	0.345	0.280
W5x5	W5x5x16lbs/ft	23.8	5.01	5.000	0.360	0.240
	W5x5x19lbs/ft	28.1	5.15	5.030	0.430	0.270
W6x4	W6x4x9lbs/ft	13.5	5.90	3.940	0.215	0.170
	W6x4x12lbs/ft	18.0	6.03	4.000	0.280	0.230
	W6x4x16lbs/ft	24.0	6.28	4.030	0.405	0.260
W6x6	W6x6x15lbs/ft	22.5	5.99	5.990	0.260	0.230
	W6x6x20lbs/ft	29.8	6.20	6.020	0.365	0.260
	W6x6x25lbs/ft	37.1	6.38	6.080	0.455	0.320
W8x4	W8x4x10lbs/ft	15.0	7.89	3.940	0.205	0.170
	W8x4x13lbs/ft	19.3	7.99	4.000	0.255	0.230
	W8x4x15lbs/ft	22.5	8.11	4.015	0.315	0.245
W8x5.25	W8x5.25x18lbs/ft	26.6	8.14	5.250	0.330	0.230
	W8x5.25x21lbs/ft	31.3	8.28	5.270	0.400	0.250
W8x6.5	W8x6.5x24lbs/ft	35.9	7.93	6.495	0.400	0.245
	W8x6.5x28lbs/ft	41.7	8.06	6.535	0.465	0.285
W8x8	W8x8x31lbs/ft	46.1	8.00	7.995	0.435	0.285
	W8x8x35lbs/ft	52.0	8.12	8.020	0.495	0.310
	W8x8x40lbs/ft	59.0	8.25	8.070	0.560	0.360
	W8x8x48lbs/ft	71.0	8.50	8.110	0.685	0.400
	W8x8x58lbs/ft	86.0	8.75	8.220	0.810	0.510
	W8x8x67lbs/ft	100.0	9.00	8.280	0.935	0.570
W10x10	W10x10x49lbs/ft	73.0	9.98	10.000	0.560	0.340
	W10x10x54lbs/ft	80.0	10.09	10.030	0.615	0.370
	W10x10x60lbs/ft	89.0	10.22	10.080	0.680	0.420
	W10x10x68lbs/ft	101.0	10.40	10.130	0.770	0.470
	W10x10x77lbs/ft	115.0	10.60	10.190	0.870	0.530
	W10x10x100lbs/ft	149.0	11.10	10.340	1.120	0.680
	W10x10x112lbs/ft	167.0	11.36	10.415	1.250	0.755
W10x4	W10x10x88lbs/ft	131.0	10.84	10.265	0.990	0.605
	W10x4x15lbs/ft	22.3	9.99	4.000	0.270	0.230
	W10x4x17lbs/ft	25.3	10.11	4.010	0.330	0.240
	W10x4x19lbs/ft	28.4	10.24	4.020	0.395	0.250
W10x5.75	W10x5.75x22lbs/ft	32.7	10.17	5.750	0.360	0.240
	W10x5.75x26lbs/ft	38.5	10.33	5.770	0.440	0.260
	W10x5.75x30lbs/ft	44.8	10.47	5.810	0.510	0.300



Wide flange beams in accordance with ASTM A 6/A 6M

標準尺寸(Standard dimension)			截面尺寸(Section dimensions)			
Serial SIZE 公稱尺寸 (mm)	Designation	單重 Unit weight (kg/m)	Depth (d) (in)	Flange		Web Thickness (tw) (in)
				Width (bf) (in)	Thickness (tf) (in)	
W10x8	W10x8x33lbs/ft	49.1	9.73	7.960	0.435	0.290
	W10x8x39lbs/ft	58.0	9.92	7.985	0.530	0.315
	W10x8x45lbs/ft	67.0	10.10	8.020	0.620	0.350
W12x10	W12x10x53lbs/ft	79.0	12.06	9.995	0.575	0.345
	W12x10x58lbs/ft	86.0	12.19	10.010	0.640	0.360
W12x12	W12x12x65lbs/ft	97.0	12.12	12.000	0.605	0.390
	W12x12x72lbs/ft	107.0	12.25	12.040	0.670	0.430
W12x12	W12x12x79lbs/ft	117.0	12.38	12.080	0.735	0.470
	W12x12x87lbs/ft	129.0	12.53	12.125	0.810	0.515
	W12X12X96lbs/ft	143.0	12.71	12.160	0.900	0.550
W12x12	W12x12x106lbs/ft	158.0	12.89	12.220	0.990	0.610
	W12x12x120lbs/ft	179.0	13.12	12.320	1.105	0.710
	W12x12x136lbs/ft	202.0	13.41	12.400	1.250	0.790
	W12x12x152lbs/ft	226.0	13.71	12.480	1.400	0.870
	W12x12x170lbs/ft	253.0	14.03	12.570	1.560	0.960
	W12x12x190lbs/ft	283.0	14.38	12.670	1.735	1.060
W12x4	W12x4x14lbs/ft	21.0	11.91	3.970	0.225	0.200
	W12x4x16lbs/ft	23.8	11.99	3.990	0.265	0.220
	W12x4x19lbs/ft	28.3	12.16	4.005	0.350	0.235
	W12x4x22lbs/ft	32.7	12.31	4.030	0.425	0.260
W12x6.5	W12x6.5x26lbs/ft	38.7	12.22	6.490	0.380	0.230
	W12x6.5x30lbs/ft	44.5	12.34	6.520	0.440	0.260
	W12x6.5x35lbs/ft	52.0	12.50	6.560	0.520	0.300
W12x8	W12x8x40lbs/ft	60.0	11.94	8.005	0.515	0.295
	W12x8x45lbs/ft	67.0	12.06	8.045	0.575	0.335
	W12x8x50lbs/ft	74.0	12.19	8.080	0.640	0.370
W14x10	W14x10x61lbs/ft	91.0	13.89	9.995	0.645	0.375
	W14x10x68lbs/ft	101.0	14.04	10.035	0.720	0.415
	W14x10x74lbs/ft	110.0	14.17	10.070	0.785	0.450
	W14x10x82lbs/ft	122.0	14.31	10.130	0.855	0.510
W14x14.5	W14x14.5x90lbs/ft	134.0	14.02	14.520	0.710	0.440
	W14x14.5x99lbs/ft	147.0	14.16	14.565	0.780	0.485
	W14x14.5x109lbs/ft	162.0	14.32	14.605	0.860	0.525
	W14x14.5x120lbs/ft	179.0	14.48	14.670	0.940	0.590
	W14x14.5x132lbs/ft	196.0	14.66	14.725	1.030	0.645
W14x16	W14x16x145lbs/ft	216.0	14.78	15.500	1.090	0.680
	W14x16x159lbs/ft	237.0	14.98	15.565	1.190	0.745



Wide flange beams in accordance with ASTM A 6/A 6M

標準尺寸(Standard dimension)			截面尺寸(Section dimensions)			
Serial SIZE 公稱尺寸 (mm)	Designation	單重 Unit weight (kg/m)	Depth (d) (in)	Flange		Web Thickness (tw) (in)
				Width (bf) (in)	Thickness (tf) (in)	
W14x16	W14x16x176lbs/ft	262.0	15.22	15.650	1.310	0.830
	W14x16x193lbs/ft	287.0	15.48	15.710	1.440	0.890
	W14x16x211lbs/ft	314.0	15.72	15.800	1.560	0.980
	W14x16x233lbs/ft	347.0	16.04	15.890	1.720	1.070
	W14x16x257lbs/ft	382.0	16.38	15.995	1.890	1.175
	W14x16x283lbs/ft	421.0	16.74	16.110	2.070	1.290
W14x5	W14x5x22lbs/ft	32.9	13.74	5.000	0.335	0.230
	W14x5x26lbs/ft	39.0	13.91	5.025	0.420	0.255
W14x6.75	W14x6.75x30lbs/ft	44.6	13.84	6.730	0.385	0.270
	W14x6.75x34lbs/ft	51.0	13.98	6.745	0.455	0.285
	W14x6.75x38lbs/ft	58.0	14.10	6.770	0.515	0.310
W14x8	W14x8x43lbs/ft	64.0	13.66	7.995	0.530	0.305
	W14x8x48lbs/ft	72.0	13.79	8.030	0.595	0.340
	W14x8x53lb/ft	79.0	13.92	8.060	0.660	0.370
W16x10.25	W16x10.25x67lbs/ft	100.0	16.33	10.235	0.665	0.395
	W16x10.25x77lbs/ft	114.0	16.52	10.295	0.750	0.455
	W16x10.25x89lbs/ft	132.0	16.75	10.365	0.875	0.525
	W16x10.25x100lbs/ft	149.0	16.97	10.425	0.985	0.585
W16x5.5	W16x5.5x26lbs/ft	38.8	15.69	5.500	0.345	0.250
	W16x5.5x31lbs/ft	46.1	15.88	5.525	0.440	0.275
W16x7	W16x7x36lbs/ft	53.0	15.86	6.985	0.430	0.295
	W16x7x40lbs/ft	60.0	16.01	6.995	0.505	0.305
	W16x7x45lbs/ft	67.0	16.13	7.035	0.565	0.345
	W16x7x50lbs/ft	75.0	16.26	7.070	0.630	0.380
	W16x7x57lbs/ft	85.0	16.43	7.120	0.715	0.430
W18x11	W18x11x76lbs/ft	113.0	18.21	11.035	0.680	0.425
	W18x11x86lbs/ft	128.0	18.39	11.090	0.770	0.480
	W18x11x97lbs/ft	144.0	18.59	11.145	0.870	0.535
	W18x11x106lbs/ft	158.0	18.73	11.200	0.940	0.590
	W18x11x119lbs/ft	177.0	18.97	11.265	1.060	0.655
	W18x11x130lbs/ft	193.0	19.25	11.160	1.200	0.670
	W18x11x143lbs/ft	213.0	19.49	11.220	1.320	0.730
W18x6	W18x6x35lbs/ft	52.0	17.70	6.000	0.425	0.300
	W18x6x40lbs/ft	60.0	17.90	6.015	0.525	0.315
	W18x6x46lbs/ft	68.0	18.06	6.060	0.605	0.360
W18x7.5	W18x7.5x50lbs/ft	74.0	17.99	7.495	0.570	0.355
	W18x7.5x55lbs/ft	82.0	18.11	7.530	0.630	0.390



Wide flange beams in accordance with ASTM A 6/A 6M

標準尺寸(Standard dimension)			截面尺寸(Section dimensions)			
Serial SIZE 公稱尺寸 (mm)	Designation	單重 Unit weight (kg/m)	Depth (d) (in)	Flange		Web Thickness (tw) (in)
				Width (bf) (in)	Thickness (tf) (in)	
W18x7.5	W18x7.5x60lbs/ft	89.0	18.24	7.555	0.695	0.415
	W18x7.5x65lbs/ft	97.0	18.35	7.590	0.750	0.450
	W18x7.5x71lbs/ft	106.0	18.47	7.635	0.810	0.495
W21x12.25	W21x12.25x101lbs/ft	150.0	21.36	12.290	0.800	0.500
	W21x12.25x111lbs/ft	165.0	21.51	12.340	0.875	0.550
	W21x12.25x122lbs/ft	182.0	21.68	12.390	0.960	0.600
	W21x12.25x132lbs/ft	196.0	21.83	12.440	1.035	0.650
	W21x12.25x147lbs/ft	219.0	22.06	12.510	1.150	0.720
	W21x12.25x166lbs/ft	248.0	22.48	12.420	1.360	0.750
	W21x12.25x182lbs/ft	272.0	22.72	12.500	1.480	0.830
	W21x12.25x201lbs/ft	300.0	23.03	12.575	1.630	0.910
W21x6.5	W21x6.5x44lbs/ft	66.0	20.66	6.500	0.450	0.350
	W21x6.5x50lbs/ft	74.0	20.83	6.530	0.535	0.380
	W21x6.5x57lbs/ft	85.0	21.06	6.555	0.650	0.405
W21x8.25	W21x8.25x48lbs/ft	72.0	20.62	8.140	0.430	0.350
	W21x8.25x55lbs/ft	82.0	20.80	8.220	0.522	0.375
	W21x8.25x62lbs/ft	92.0	20.99	8.240	0.615	0.400
	W21x8.25x68lbs/ft	101.0	21.13	8.270	0.685	0.430
	W21x8.25x73lbs/ft	109.0	21.24	8.295	0.740	0.455
	W21x8.25x83lbs/ft	123.0	21.43	8.355	0.835	0.515
	W21x8.25x93lbs/ft	138.0	21.62	8.420	0.930	0.580
W24x12.75	W24x12.75x104lbs/ft	155.0	24.06	12.750	0.750	0.500
	W24x12.75x117lbs/ft	174.0	24.26	12.800	0.850	0.550
	W24x12.75x131lbs/ft	195.0	24.48	12.855	0.960	0.605
	W24x12.75x146lbs/ft	217.0	24.74	12.900	1.090	0.650
	W24x12.75x162lbs/ft	241.0	25.00	12.955	1.220	0.705
	W24x12.75x176lbs/ft	262.0	25.24	12.890	1.340	0.750
W24x12.75	W24x12.75x192lbs/ft	285.0	25.47	12.950	1.460	0.810
	W24x12.75x207lbs/ft	307.0	25.71	13.010	1.570	0.870
W24x7	W24x7x55lbs/ft	82.0	23.57	7.005	0.505	0.395
	W24x7x62lbs/ft	92.0	23.74	7.040	0.590	0.430
W24x9	W24x9x68lbs/ft	101.0	23.73	8.965	0.585	0.415
	W24x9x76lbs/ft	113.0	23.92	8.990	0.680	0.440
	W24x9x84lbs/ft	125.0	24.10	9.020	0.770	0.470
	W24x9x94lbs/ft	140.0	24.31	9.065	0.875	0.515
	W24x9x103lbs/ft	153.0	24.53	9.000	0.980	0.550



Wide flange beams in accordance with ASTM A 6/A 6M

標準尺寸(Standard dimension)			截面尺寸(Section dimensions)			
Serial SIZE 公稱尺寸 (mm)	Designation	單重 Unit weight (kg/m)	Depth (d) (in)	Flange		Web Thickness (tw) (in)
				Width (bf) (in)	Thickness (tf) (in)	
W27x10	W27x10x102lbs/ft	152.0	27.09	10.015	0.830	0.515
	W27x10x114lbs/ft	170.0	27.29	10.070	0.930	0.570
	W27x10x84lbs/ft	125.0	26.71	9.960	0.640	0.460
	W27x10x94lbs/ft	140.0	26.92	9.990	0.745	0.490
	W27x10x129lbs/ft	192.0	27.63	10.010	1.100	0.610
W27x14	W27x14x146lbs/ft	217.0	27.38	13.965	0.975	0.605
	W27x14x161lbs/ft	240.0	27.59	14.020	1.080	0.660
	W27x14x178lbs/ft	265.0	27.81	14.085	1.190	0.725
	W27x14x194lbs/ft	289.0	28.11	14.035	1.340	0.750
	W27x14x217lbs/ft	323.0	28.43	14.115	1.500	0.830
	W27x14x235lbs/ft	350.0	28.66	14.190	1.610	0.910
	W27x14x258lbs/ft	384.0	28.98	14.270	1.770	0.980
W30x10.5	W30x10.5x90lbs/ft	134.0	29.53	10.400	0.610	0.470
	W30x10.5x99lbs/ft	147.0	29.65	10.450	0.670	0.520
	W30x10.5x108lbs/ft	161.0	29.83	10.475	0.760	0.545
	W30x10.5x116lbs/ft	173.0	30.01	10.495	0.850	0.565
	W30x10.5x124lbs/ft	185.0	30.17	10.515	0.930	0.585
	W30x10.5x132lbs/ft	196.0	30.31	10.545	1.000	0.615
	W30x10.5x148lbs/ft	220.0	30.67	10.480	1.180	0.650

Universal bearing piles in accordance with BS 4

標準尺寸(Standard dimension)			截面尺寸(Section dimensions)				
公稱尺寸 Serial SIZE (mm)	Designation	單重 Unit weight (kg/m)	Depth h (mm)	Width b (mm)	Web s (mm)	Flange t (mm)	Root radius r (mm)
BP356x368	356 x 368 x 174	173.9	361.4	378.5	20.3	20.4	15.2
	356 x 368 x 152	152.0	356.4	376.0	17.8	17.9	15.2
	356 x 368 x 133	133.0	352.0	373.8	15.6	15.7	15.2
	356 x 368 x 109	108.9	346.4	371.0	12.8	12.9	15.2
BP305x305	305 x 305 x 223	222.9	337.9	325.7	30.3	30.4	15.2
	305 x 305 x 186	186.0	328.3	320.9	25.5	25.6	15.2
	305 x 305 x 180	180.0	326.7	319.7	24.8	24.8	15.2
	305 x 305 x 149	149.1	318.5	316.0	20.6	20.7	15.2
	305 x 305 x 126	126.1	312.3	312.9	17.5	17.6	15.2
	305 x 305 x 110	110.0	307.9	310.7	15.3	15.4	15.2
	305 x 305 x 95	94.9	303.7	308.7	13.3	13.3	15.2
	305 x 305 x 88	88.0	301.7	307.8	12.4	12.3	15.2
BP254x254	254 x 254 x 85	85.1	254.3	260.4	14.4	14.3	12.7
	254 x 254 x 71	71.0	249.7	258.0	12.0	12.0	12.7
	254 x 254 x 63	63.0	247.1	256.6	10.6	10.7	12.7
BP203x203	203 x 203 x 54	53.9	204.0	207.7	11.3	11.4	10.2
	203 x 203 x 45	44.9	200.2	205.9	9.5	9.5	10.2



Universal columns in accordance with BS 4

標準尺寸(Standard dimension)			截面尺寸(Section dimensions)				
公稱尺寸 Serial SIZE (mm)	Designation	單重 Unit weight (kg/m)	Depth	Width	Web	Flange	Root radius
			h	b	s	t	r
			(mm)	(mm)	(mm)	(mm)	(mm)
UC356x406	356 x 406 x 393	393	419.0	407.0	30.6	49.2	15.2
	356 x 406 x 340	340	406.4	403.0	26.6	42.9	15.2
	356 x 406 x 287	287	393.6	399.0	22.6	36.5	15.2
	356 x 406 x 235	235	381.0	394.8	18.4	30.2	15.2
UC356x368	356 x 368 x 202	202	374.6	374.7	16.5	27.0	15.2
	356 x 368 x 177	177	368.2	372.6	14.4	23.8	15.2
	356 x 368 x 153	153	362.0	370.5	12.3	20.7	15.2
	356 x 368 x 129	129	355.6	368.6	10.4	17.5	15.2
UC305x305	305 x 305 x 283	283	365.3	322.2	26.8	44.1	15.2
	305 x 305 x 240	240	352.5	318.4	23.0	37.7	15.2
	305 x 305 x 198	198	339.9	314.5	19.1	31.4	15.2
	305 x 305 x 158	158	327.1	311.2	15.8	25.0	15.2
	305 x 305 x 137	137	320.5	309.2	13.8	21.7	15.2
	305 x 305 x 118	118	314.5	307.4	12.0	18.7	15.2
	305 x 305 x 97	96.9	307.9	305.3	9.9	15.4	15.2
UC254x254	254 x 254 x 167	167	289.1	265.2	19.2	31.7	12.7
	254 x 254 x 132	132	276.3	261.3	15.3	25.3	12.7
	254 x 254 x 107	107	266.7	258.8	12.8	20.5	12.7
	254 x 254 x 89	88.9	260.3	256.3	10.3	17.3	12.7
	254 x 254 x 73	73.1	254.1	254.6	8.6	14.2	12.7
UC203x203	203 x 203 x 86	86.1	222.2	209.1	12.7	20.5	10.2
	203 x 203 x 71	71.0	215.8	206.4	10.0	17.3	10.2
	203 x 203 x 60	60.0	209.6	205.8	9.4	14.2	10.2
	203 x 203 x 52	52.0	206.2	204.3	7.9	12.5	10.2
	203 x 203 x 46	46.1	203.2	203.6	7.2	11.0	10.2
UC152x152	152 x 152 x 37	37.0	161.8	154.4	8.0	11.5	7.6
	152 x 152 x 30	30.0	157.6	152.9	6.5	9.4	7.6
	152 x 152 x 23	23.0	152.4	152.2	5.8	6.8	7.6



Universal beams in accordance with BS 4

標準尺寸(Standard dimension)			截面尺寸(Section dimensions)				
公稱尺寸 Serial SIZE (mm)	Designation	單重 Unit weight (kg/m)	Depth	Width	Web	Flange	Root radius
			h	b	s	t	r
			(mm)	(mm)	(mm)	(mm)	(mm)
UB762x267	762 x 267 x 197	197	769.8	268.0	15.6	25.4	16.5
	762 x 267 x 173	173	762.2	266.7	14.3	21.6	16.5
	762 x 267 x 147	147	754.0	265.2	12.8	17.5	16.5
	762 x 267 x 134	134	750.0	264.4	12.0	15.5	16.5
UB610x305	610 x 305 x 238	238	612.4	304.8	11.8	31.4	16.5
	610 x 305 x 179	179	620.2	307.1	14.1	23.6	16.5
	610 x 305 x 149	149	635.8	311.4	18.4	19.7	16.5
UB610x229	610 x 229 x 140	140	617.2	230.2	13.1	22.1	12.7
	610 x 229 x 125	125	612.2	229.0	11.9	19.6	12.7
	610 x 229 x 113	113	607.6	228.2	11.1	17.3	12.7
	610 x 229 x 101	101	602.6	227.6	10.5	14.8	12.7
UB533x210	533 x 210 x 122	122	544.5	211.9	12.7	21.3	12.7
	533 x 210 x 109	109	539.5	210.8	11.6	18.8	12.7
	533 x 210 x 101	101	536.7	210.0	10.8	17.4	12.7
	533 x 210 x 92	92.1	533.1	209.3	10.1	15.6	12.7
	533 x 210 x 82	82.2	528.3	208.8	9.6	13.2	12.7
UB457x191	457 x 191 x 98	98.3	467.2	192.8	11.4	19.6	10.2
	457 x 191 x 89	89.3	463.4	191.9	10.5	17.7	10.2
	457 x 191 x 82	82.0	460.0	191.3	9.9	16.0	10.2
	457 x 191 x 74	74.3	457.0	190.4	9.0	14.5	10.2
	457 x 191 x 67	67.1	453.4	189.9	8.5	12.7	10.2
UB457x152	457 x 152 x 82	82.1	465.8	155.3	10.5	18.9	10.2
	457 x 152 x 74	74.2	462.0	154.4	9.6	17.0	10.2
	457 x 152 x 67	67.2	458.0	153.8	9.0	15.0	10.2
	457 x 152 x 60	59.8	454.6	152.9	8.1	13.3	10.2
	457 x 152 x 52	52.3	449.8	152.4	7.6	10.9	10.2
UB406x178	406 x 178 x 74	74.2	412.8	179.5	9.5	16.0	10.2
	406 x 178 x 67	67.1	409.4	178.8	8.8	14.3	10.2
	406 x 178 x 60	60.1	406.4	177.9	7.9	12.8	10.2
	406 x 178 x 54	54.1	402.6	177.7	7.7	10.9	10.2
UB406x140	406 x 140 x 46	46.0	403.2	142.2	6.8	11.2	10.2
	406 x 140 x 39	39.0	398.0	141.8	6.4	8.6	10.2
UB356x171	356 x 171 x 67	67.1	363.4	173.2	9.1	15.7	10.2
	356 x 171 x 57	57.0	358.0	172.2	8.1	13.0	10.2
	356 x 171 x 51	51.0	355.0	171.5	7.4	11.5	10.2
	356 x 171 x 45	45.0	351.4	171.1	7.0	9.7	10.2
UB356x127	356 x 127 x 39	39.1	353.4	126.0	6.6	10.7	10.2
	356 x 127 x 33	33.1	349.0	125.4	6.0	8.5	10.2
UB305x165	305 x 165 x 54	54.0	310.4	166.9	7.9	13.7	8.9
	305 x 165 x 46	46.1	306.6	165.7	6.7	11.8	8.9



標準尺寸(Standard dimension)			截面尺寸(Section dimensions)				
公稱尺寸 Serial SIZE (mm)	Designation	單重 Unit weight (kg/m)	Depth	Width	Web	Flange	Root radius
			h	b	s	t	r
			(mm)	(mm)	(mm)	(mm)	(mm)
	305 x 165 x 40	40.3	303.4	165.0	6.0	10.2	8.9
UB305x102	305 x 102 x 33	32.8	312.7	102.4	6.6	10.8	7.6
	305 x 102 x 28	28.2	308.7	101.8	6.0	8.8	7.6
	305 x 102 x 25	24.8	305.1	101.6	5.8	7.0	7.6
UB254x146	254 x 146 x 43	43.0	259.6	147.3	7.2	12.7	7.6
	254 x 146 x 37	37.0	256.0	146.4	6.3	10.9	7.6
	254 x 146 x 31	31.1	251.4	146.1	6.0	8.6	7.6
UB254x102	254 x 102 x 28	28.3	260.4	102.2	6.3	10.0	7.6
	254 x 102 x 25	25.2	257.2	101.9	6.0	8.4	7.6
	254 x 102 x 22	22.0	254.0	101.6	5.7	6.8	7.6
UB203x133	203 x 133 x 30	30.0	206.8	133.9	6.4	9.6	7.6
	203 x 133 x 25	25.1	203.2	133.2	5.7	7.8	7.6
UB203x102	203 x 102 x 23	23.1	203.2	101.8	5.4	9.3	7.6

European wide flange beams in accordance with Euronorm 53-62

標準尺寸(Standard dimension)			截面尺寸(Section dimensions)				
Serial SIZE 公稱尺寸 (mm)	Designation	單重 Unit weight (kg/m)	H (mm)	B (mm)	t _w (mm)	t _f (mm)	r (mm)
HE100	HE 100 A	16.7	96	100	5.0	8.0	12
	HE 100 B	20.4	100	100	6.0	10.0	12
HE120	HE 120 A	19.9	114	120	5.0	8.0	12
	HE 120 B	26.7	120	120	6.5	11.0	12
HE140	HE 140 A	24.7	133	140	5.5	8.5	12
	HE 140 B	33.7	140	140	7.0	12.0	12
HE160	HE 160 AA	23.8	148	160	4.5	7.0	15
	HE 160 A	30.4	152	160	6.0	9.0	15
	HE 160 B	42.6	160	160	8.0	13.0	15
HE180	HE 180 AA	28.7	167	180	5.0	7.5	15
	HE 180 A	35.5	171	180	6.0	9.5	15
	HE 180 B	51.2	180	180	8.5	14.0	15
	HE 180 M	88.9	200	186	14.5	24.0	15
HE200	HE 200 AA	34.6	186	200	5.5	8.0	18
	HE 200 A	42.3	190	200	6.5	10.0	18
	HE 200 B	61.3	200	200	9.0	15.0	18
HE220	HE 220 AA	40.4	205	220	6.0	8.5	18
	HE 220 A	50.5	210	220	7.0	11.0	18
	HE 220 B	71.5	220	220	9.5	16.0	18
HE240	HE 240 AA	47.4	224	240	6.5	9.0	21
	HE 240 A	60.3	230	240	7.5	12.0	21
	HE 240 B	83.2	240	240	10.0	17.0	21
HE260	HE 260 AA	54.1	244	260	6.5	9.5	24
	HE 260 A	68.2	250	260	7.5	12.5	24
	HE 260 B	93.0	260	260	10.0	17.5	24
	HE 260 M	172.0	290	268	18.0	32.5	24
HE280	HE 280 AA	61.2	264	280	7.0	10.0	24
	HE 280 A	76.4	270	280	8.0	13.0	24
	HE 280 B	103.0	280	280	10.5	18.0	24
	HE 280 M	189.0	310	288	18.5	33.0	24
HE300	HE 300 AA	69.8	283	300	7.5	10.5	27
	HE 300 A	88.3	290	300	8.5	14.0	27
	HE 300 B	117.0	300	300	11.0	19.0	27
	HE 300 M	238.0	340	310	21.0	39.0	27
HE320	HE 320 AA	74.2	301	300	8.0	11.0	27
	HE 320 A	97.6	310	300	9.0	15.5	27
	HE 320 B	127.0	320	300	11.5	20.5	27
	HE 320 M	245.0	359	309	21.0	40.0	27
HE340	HE 340 AA	78.9	320	300	8.5	11.5	27
	HE 340 A	105.0	330	300	9.5	16.5	27
	HE 340 B	134.0	340	300	12.0	21.5	27
	HE 340 M	248.0	377	309	21.0	40.0	27

European wide flange beams in accordance with Euronorm 53-62

標準尺寸(Standard dimension)			截面尺寸(Section dimensions)				
Serial SIZE 公稱尺寸 (mm)	Designation	單重 Unit weight (kg/m)	H	B	t _w	t _f	r
			(mm)	(mm)	(mm)	(mm)	(mm)
HE360	HE 360 AA	83.7	339	300	9.0	12.0	27
	HE 360 A	112.0	350	300	10.0	17.5	27
	HE 360 B	142.0	360	300	12.5	22.5	27
	HE 360 M	250.0	395	308	21.0	40.0	27
HE400	HE 400 AA	92.4	378	300	9.5	13.0	27
	HE 400 x 107	107.0	384	297	10.0	16.0	27
	HE 400 A	125.0	390	300	11.0	19.0	27
	HE 400 B	155.0	400	300	13.5	24.0	27
	HE 400 M	256.0	432	307	21.0	40.0	27
HE450	HE 450 AA	100.0	425	300	10.0	13.5	27
	HE 450 x 123	123.0	435	300	10.2	18.5	27
	HE 450 A	140.0	440	300	11.5	21.0	27
	HE 450 B	171.0	450	300	14.0	26.0	27
	HE 450 M	263.0	478	307	21.0	40.0	27
HE500	HE 500 AA	107.0	472	300	10.5	14.0	27
	HE 500 A	155.0	490	300	12.0	23.0	27
	HE 500 B	187.0	500	300	14.5	28.0	27
	HE 500 M	270.0	524	306	21.0	40.0	27
HE600	HE 600 AA	129.0	571	300	12.0	15.5	27
	HE 600x137	137.0	575	300	11.8	17.5	27
	HE 600x151	151.0	582	300	11.6	20.3	27
	HE 600x174	174.0	588	300	13.6	23.9	27
	HE 600 A	178.0	590	300	13.0	25.0	27
	HE 600 B	212.0	600	300	15.5	30.0	27
	HE 600 M	285.0	620	305	21.0	40.0	27
HE700	HE 700 AA	150.0	670	300	13.0	17.0	27
	HE 700x166	166.0	678	300	12.5	21.0	27
	HE 700 A	204.0	690	300	14.5	27.0	27
	HE 700 B	241.0	700	300	17.0	32.0	27
	HE 700 M	301.0	716	304	21.0	40.0	27
HE800	HE 800 AA	172.0	770	300	14.0	18.0	30
	HE 800 A	224.0	790	300	15.0	28.0	30
	HE 800 B	262.0	800	300	17.5	33.0	30
	HE 800 M	317.0	814	303	21.0	40.0	30

European specification beams with parallel flange in accordance with Euronorm 19-57

標準尺寸(Standard dimension)			截面尺寸(Section dimensions)				
Serial SIZE 公稱尺寸 (mm)	Designation	單重 Unit weight (kg/m)	H	B	t _w	t _f	r
			(mm)	(mm)	(mm)	(mm)	(mm)
IPE140	IPE 140	12.9	140.0	73.0	4.7	6.9	7
IPE160	IPE 160	15.8	160.0	82.0	5.0	7.4	9
IPE180	IPE 180	18.8	180.0	91.0	5.3	8.0	9
	IPE 180 O	21.3	182.0	92.0	6.0	9.0	9
IPE200	IPE 200 A	18.4	197.0	100.0	4.5	7.0	12
	IPE 200	22.4	200.0	100.0	5.6	8.5	12
	IPE 200 O	25.1	202.0	102.0	6.2	9.5	12
IPE220	IPE 220	26.2	220.0	110.0	5.9	9.2	12
IPE240	IPE 240 A	26.2	237.0	120.0	5.2	8.3	15
	IPE 240	30.7	240.0	120.0	6.2	9.8	15
	IPE 240 O	34.3	242.0	122.0	7.0	10.8	15
IPE270	IPE 270 A	30.7	267.0	135.0	5.5	8.7	15
	IPE 270	36.1	270.0	135.0	6.6	10.2	15
	IPE 270 O	42.3	274.0	136.0	7.5	12.2	15
IPE300	IPE 300 A	36.5	297.0	150.0	6.1	9.2	15
	IPE 300	42.2	300.0	150.0	7.1	10.7	15
	IPE 300 O	49.3	304.0	152.0	8.0	12.7	15
IPE330	IPE 330	49.1	330.0	160.0	7.5	11.5	18
IPE360	IPE 360 A	50.2	358.0	170.0	6.6	11.5	18
	IPE 360	57.1	360.0	170.0	8.0	12.7	18
	IPE 360 O	66.0	364.0	172.0	9.2	14.7	18
IPE400	IPE 400 A	57.4	397.0	180.0	7.0	12.0	21
	IPE 400	66.3	400.0	180.0	8.6	13.5	21
	IPE 400 O	75.7	404.0	182.0	9.7	15.5	21
	IPE 400 V	84.0	408.0	182.0	10.6	17.5	21
IPE450	IPE 450 A	67.2	447.0	190.0	7.6	13.1	21
	IPE 450	77.6	450.0	190.0	9.4	14.6	21
	IPE 450 O	92.4	456.0	192.0	11.0	17.6	21
	IPE 450 V	104	460.0	194.0	12.4	19.6	21
IPE500	IPE 500 A	79.4	497.0	200.0	8.4	14.5	21
	IPE 500	90.7	500.0	200.0	10.2	16.0	21
	IPE 500 O	107	506.0	202.0	12.0	19.0	21
	IPE 500 V	129	514.0	204.0	14.2	23.0	21
IPE550	IPE 550 A	92	547.0	210.0	9.0	15.7	24
	IPE 550	106	550.0	210.0	11.1	17.2	24
	IPE 550 O	123	556.0	212.0	12.7	20.2	24

標準尺寸(Standard dimension)			截面尺寸(Section dimensions)				
Serial SIZE 公稱尺寸 (mm)	Designation	單重 Unit weight (kg/m)	H	B	t _w	t _f	r
			(mm)	(mm)	(mm)	(mm)	(mm)
IPE600	IPE 600 A	108	597.0	220.0	9.8	17.5	24
	IPE 600	122	600.0	220.0	12.0	19.0	24
	IPE 600 O	154	610.0	224.0	15.0	24.0	24
	IPE 600 V	184	618.0	228.0	18.0	28.0	24
IPE750	IPE 750x137	137	753.0	263.0	11.5	17.0	17
	IPE 750x147	147	753.0	265.0	13.2	17.0	17
	IPE 750x161	161	758.0	266.0	13.8	19.3	17
	IPE 750x173	173	762.0	267.0	14.4	21.6	17
	IPE 750x185	185	766.0	267.0	14.9	23.6	17
	IPE 750x196	197	770.0	268.0	15.6	25.4	17
	IPE 750x210	210	775.0	268.0	16.0	28.0	17
	IPE 750x222	222	778.0	269.0	17.0	29.5	17